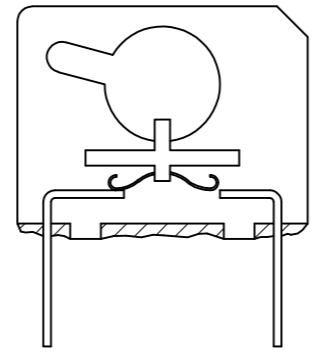
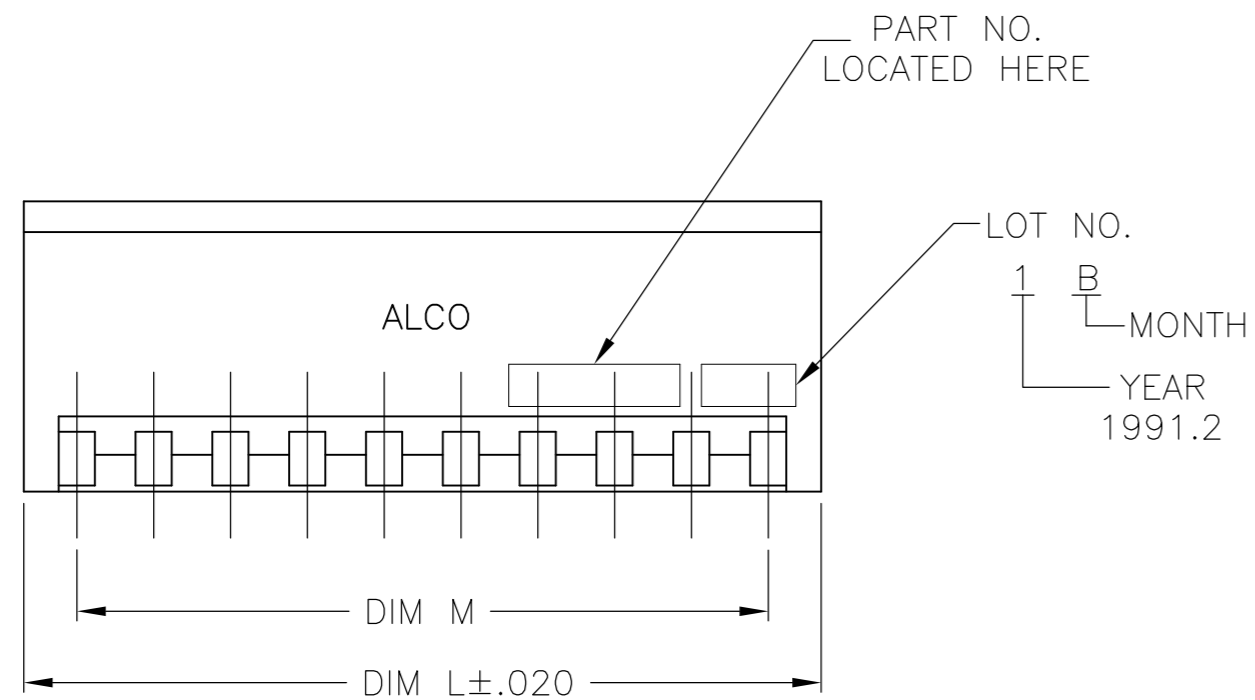
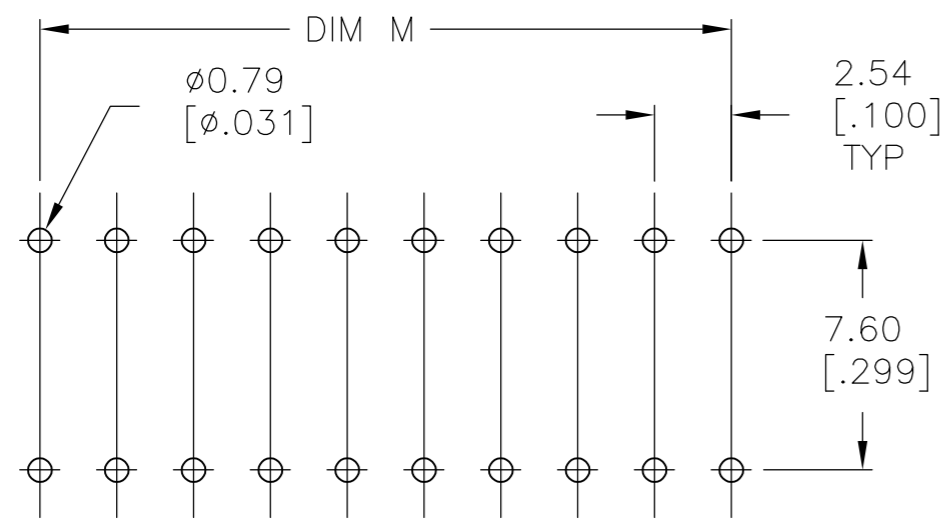
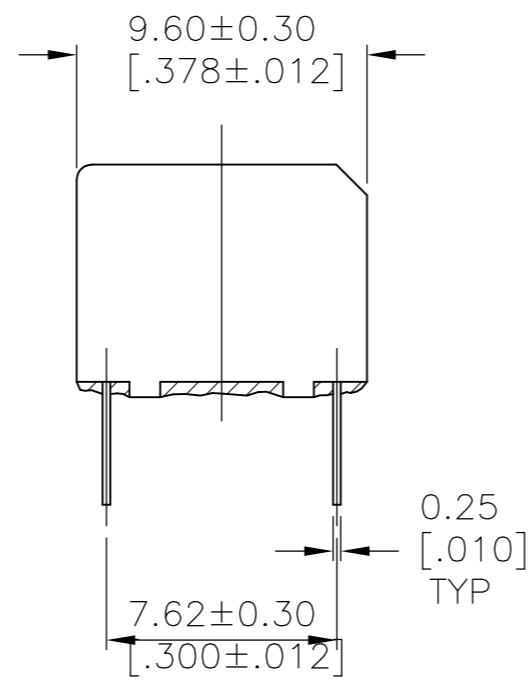
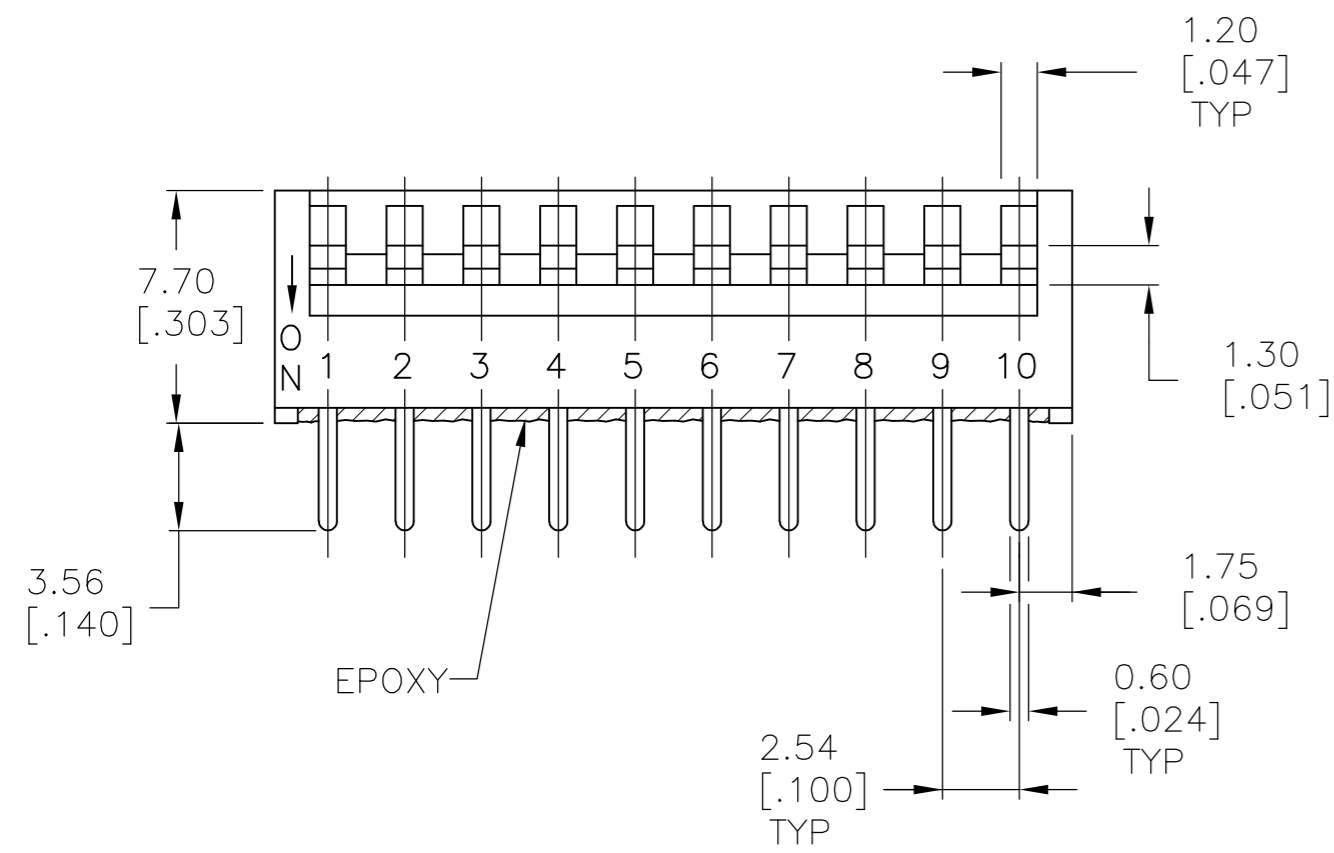


LOC	DIST	REVISIONS			
P	LTR	DESCRIPTION	DATE	DWN	APVD
AD	00				
	A5	REVISED PER ECO-11-004820	11MAR11	RK	HMR



CROSS SECTION



RECOMMENDED BOARD LAYOUT

THRU HOLE VERSION

**SPECIFICATIONS:**

**MATERIALS:**

CASE: PPS, UL94V0-BLACK  
 COVER: PPS, UL94V0-BLACK  
 ACTUATOR: LCP, UL94V0-WHITE  
 CONTACTS AND TERMINALS: COPPER ALLOY, GOLD OVER NICKEL  
 TAPE SEAL: POLYIMIDE FILM

**ELECTRICAL:**

CONTACT RATING: NON-SWITCHING: 100MA @ 50VDC  
 SWITCHING: 25MA 24VDC  
 INITIAL CONTACT RESISTANCE: 100 MILLIOHMS MAX. @ 2VDC, 10MA  
 INSULATION RESISTANCE: 100 MEGOHMS MIN. @ 100VDC  
 DIELECTRIC STRENGTH: 300VAC FOR 1 MINUTE  
 LIFE EXPECTANCY: 1000 CYCLES

**MECHANICAL:**

ACTUATION FORCE: 600 GRAMS MAX

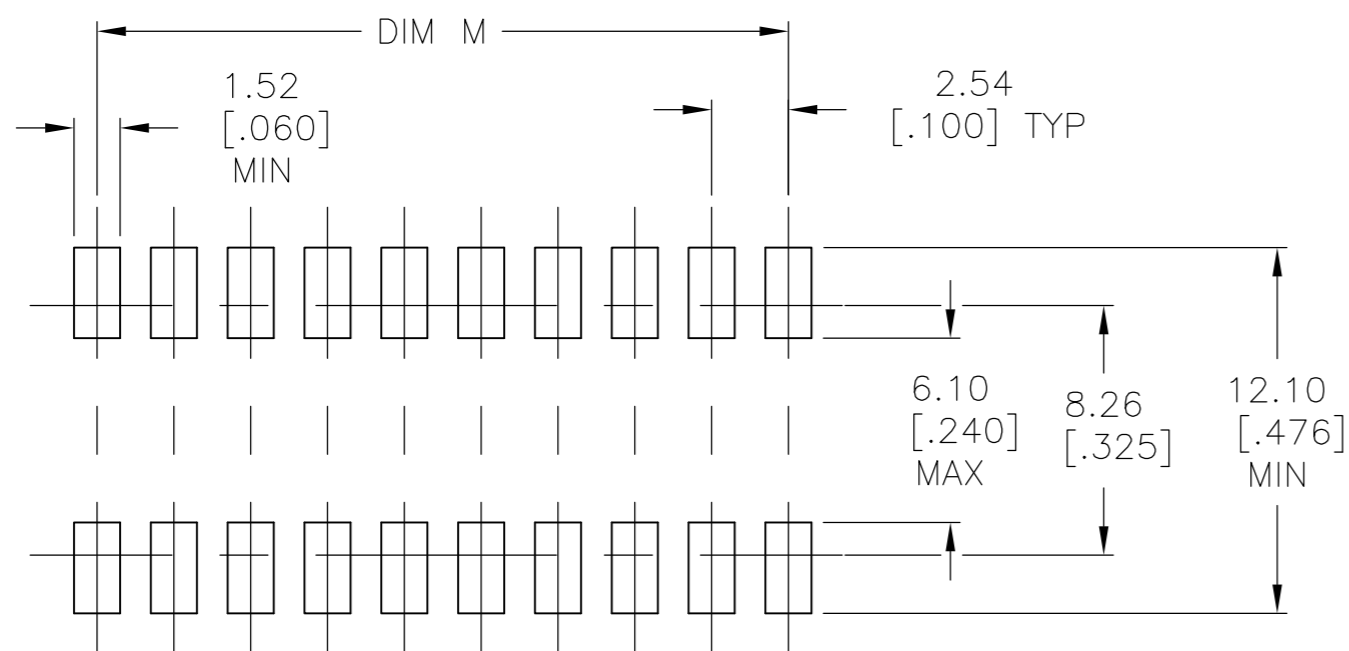
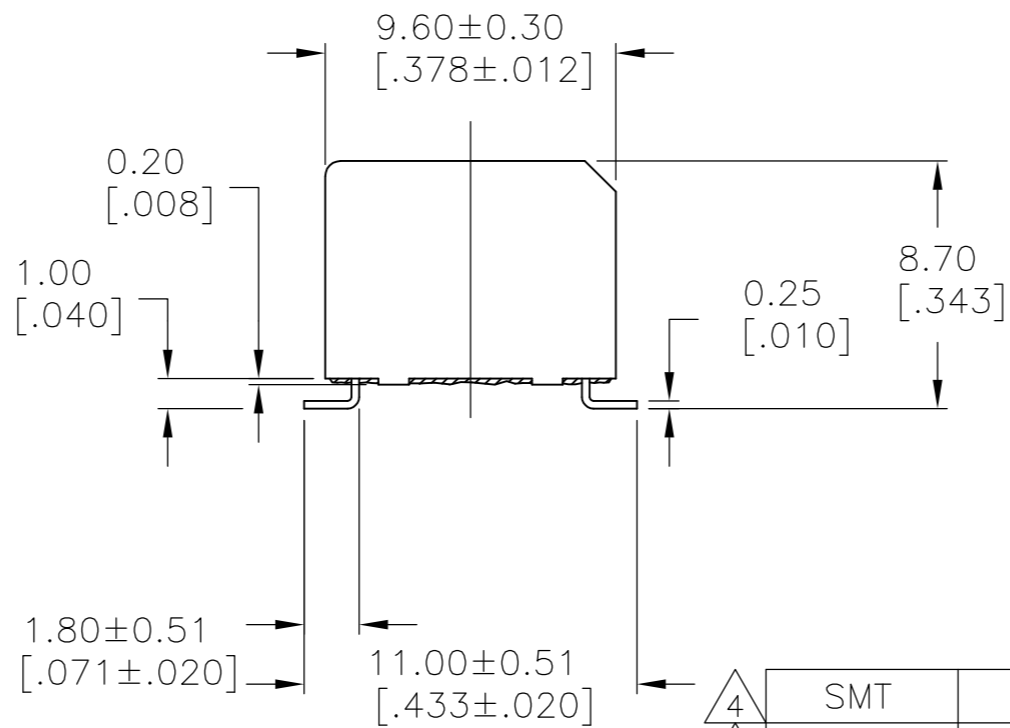
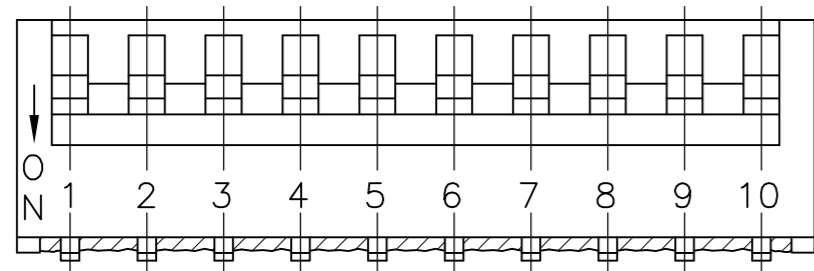
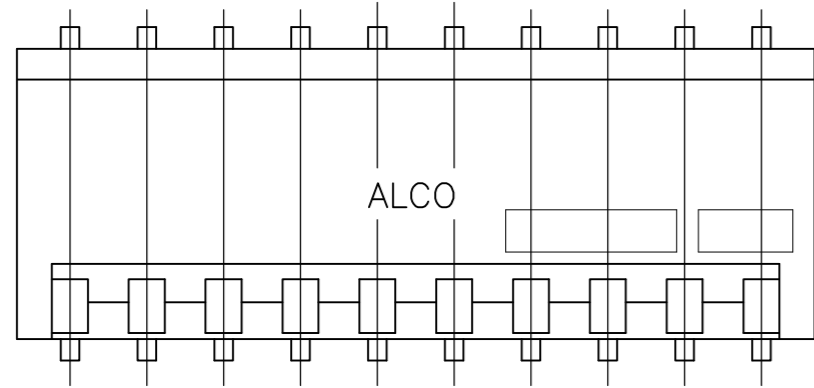
**ENVIRONMENTAL:**

OPERATING TEMPERATURE: -30°C TO +85°C  
 STORAGE TEMPERATURE: -45°C TO +100°C  
 SOLDER HEAT RESISTANCE PER 109-202, CONDITION B (THRU-HOLE) OR 109-201, CONDITION B (SMT)  
 SOLDERABILITY PER JIS C 0500 & JIS C 0053

- FOR P/N TABLE & SURFACE MOUNT DETAILS SEE SHEET 2
- TAPE AND REEL PACKAGING PER EIA 481 - PART NO.S GDSXXSTR.
- ALL MATERIALS AND FINISHES SHALL COMPLY WITH EU DIRECTIVE 2002/95/EC OF 27JAN2003 (ROHS)
- SWITCH TO BE RECEIVED IN THE "ON" POSITION.
- OBsolete PARTS: OBsolete CIS STREAMLINING PER D.RENAUD/D.SINISI

THIS DRAWING IS A CONTROLLED DOCUMENT.		DWN R BROWN 04JAN06	<b>STE</b> TE Connectivity	
DIMENSIONS: mm [INCHES]		CHK M SARVER 04JAN06		
TOLERANCES UNLESS OTHERWISE SPECIFIED:		APVD M SARVER 04JAN06	NAME	
0 PLC ± -		PRODUCT SPEC	DIP SWITCH ASSEMBLY GDP SERIES	
1 PLC ± -		APPLICATION SPEC	SIZE A2	CAGE CODE -
2 PLC ± .030 (.012)			DRAWING NO C=1571998	RESTRICTED TO -
3 PLC ± -			SCALE 4:1	SHEET 1 OF 2
4 PLC ± -			CUSTOMER DRAWING	REV A5
ANGLES ± -				
FINISH -				

LOC	DIST	REVISIONS					
AD	00	P	LTR	DESCRIPTION	DATE	DWN	APVD
		-		SEE SHEET 1		-	-



RECOMMENDED BOARD LAYOUT  
 BOARD LAYOUT TOLERANCE  
 ±.002 FOR ALL DIMENSIONS

SURFACE MOUNT VERSION

4	SMT	TAPE	7.62 [.300]	11.13 [.438]	4	GDP04STRON04	2-1571998-2
4	SMT	TAPE	17.78 [.700]	21.29 [.838]	8	GDP08STRON04	2-1571998-1
5	OBSOLETE	SMT	22.86 [.900]	26.37 [1.038]	10	GDP10STR04	2-1571998-0
5	OBSOLETE	SMT	22.86 [.900]	26.37 [1.038]	10	GDP10S04	1-1571998-9
5	OBSOLETE	T/H	NONE	22.86 [.900]	10	GDP10NTS04	1-1571998-8
5	OBSOLETE	T/H	TAPE	22.86 [.900]	10	GDP1004	1-1571998-7
5	OBSOLETE	SMT	17.78 [.700]	21.29 [.838]	8	GDP08STR04	1-1571998-6
5	OBSOLETE	SMT	17.78 [.700]	21.29 [.838]	8	GDP08S04	1-1571998-5
5	OBSOLETE	T/H	NONE	17.78 [.700]	8	GDP08NTS04	1-1571998-4
5	OBSOLETE	T/H	TAPE	17.78 [.700]	8	GDP0804	1-1571998-3
5	OBSOLETE	SMT	12.70 [.500]	16.21 [.638]	6	GDP06STR04	1-1571998-2
5	OBSOLETE	SMT	12.70 [.500]	16.21 [.638]	6	GDP06S04	1-1571998-1
5	OBSOLETE	T/H	NONE	12.70 [.500]	6	GDP06NTS04	1-1571998-0
5	OBSOLETE	T/H	TAPE	12.70 [.500]	6	GDP0604	1571998-9
5	OBSOLETE	SMT	7.62 [.300]	11.13 [.438]	4	GDP04STR04	1571998-8
5	OBSOLETE	SMT	7.62 [.300]	11.13 [.438]	4	GDP04S04	1571998-7
5	OBSOLETE	T/H	NONE	7.62 [.300]	4	GDP04NTS04	1571998-6
5	OBSOLETE	T/H	TAPE	7.62 [.300]	4	GDP0404	1571998-5
5	OBSOLETE	SMT	2.54 [.100]	6.05 [.238]	2	GDP02STR04	1571998-4
5	OBSOLETE	SMT	2.54 [.100]	6.05 [.238]	2	GDP02S04	1571998-3
5	OBSOLETE	T/H	NONE	2.54 [.100]	2	GDP02NTS04	1571998-2
5	OBSOLETE	T/H	TAPE	2.54 [.100]	2	GDP0204	1571998-1
	MTG	SEAL	DIM M	DIM L	POLE	OLD T&B P/N	P/N

THIS DRAWING IS A CONTROLLED DOCUMENT.

DWN	R BROWN	04JAN06
CHK	M SARVER	04JAN06
APVD	M SARVER	04JAN06

TE Connectivity

DIP SWITCH ASSEMBLY  
GDP SERIES

SIZE	A2	CAGE CODE	-	DRAWING NO	C=1571998	RESTRICTED TO	-
SCALE	4:1	SHEET	2 OF 2	REV	A5		

CUSTOMER DRAWING